

installing your new door

TOOLS YOU WILL NEED:

- wood plane
- screwdriver
- 25mm chisel
- hand or power drill
- 25mm drill bit
- rule
- hole saw
- hammer
- square
- 2 small wedges



Like many jobs around the home, installing a new door is a simple task... given the right advice and the right tools! Here's a brief installation guide to help the home handy person.



◀ STEP 1

Remove the existing door and it's door furniture, if reusing. Measure and check the new door for size and squareness against existing door or door jamb.



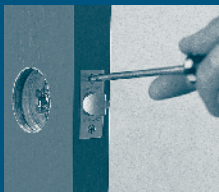
◀ STEP 2

Plane door to required height. Stand door against the hinge stile in the opening. If too wide, mark the overhang on opening side, plane to fit. Do not exceed height and width trimming allowances.



◀ STEP 3

Fit hinges to door. Fix the door to the jamb with 2 screws per hinge. The door should swing freely. Remove the door and hinges, apply 2 coats of sealer to the top and bottom edges, and hinge check outs.



◀ STEP 4

Complete the painting or staining of the entire door, re-hang your old door until you are ready. (See Applying the Finish.)



◀ STEP 5

Re-hang your new door. Fit door furniture as per manufacturers' instructions.

Maintenance

Doors should be checked periodically for signs of breakdown in the finish used. Over time all finishes break down but the life of the finish will be determined largely by the doors location and exposure to the elements, and the quality of the finish selected.

Care and handling

Timber doors are a natural product and as such are susceptible to changes in the environment such as sunlight, humidity, temperature fluctuations and rain. To help you protect your investment:

- Always store your raw doors flat, in a dry place, avoid freshly plastered rooms or other damp areas.
- Doors must be correctly installed, sealed and maintained.
- Full door care instructions available at www.corinthian.com.au

Guarantee

All doors supplied by Corinthian Doors are covered by a 5 Year Guarantee against faulty workmanship and materials subject to compliance with the Company's Door Care Instructions and Pre-finishing recommendations.



Natural variations in the colour and texture of the timber, and normal show through of frame and core components in flush doors are not considered defects.

Do not act on the basis of these instructions only as they are of a general nature rather than detailed instruction. Always follow manufacturers' instructions for any products used in association with your new Corinthian door such as door hardware, paints and other finishes. Detailed instruction brochures for Corinthian products are available on request.

Safety

Corinthian Doors recommends using the appropriate safety equipment. When working with timber always wear goggles, gloves and a dust mask.

For further information Contact your Corinthian Door reseller or Corinthian direct:

- | | |
|-----------|----------------|
| Sydney | (02) 9673 7111 |
| Melbourne | (03) 9794 1122 |
| Brisbane | (07) 3715 0100 |
| Adelaide | (08) 8243 0888 |
| Perth | (08) 9455 1333 |

www.corinthian.com.au



© Copyright reserved 11/04/11 Corinthian Doors NAT.



installing your new door

HELPFUL HINTS

- which door?
- measuring up
- care & handling
- installation
- painting & staining
- maintenance
- warranty

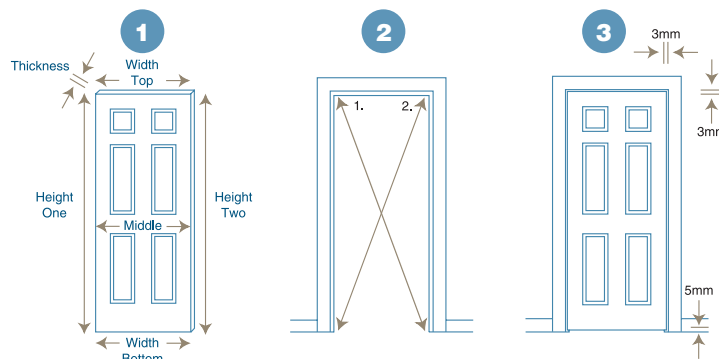
Your new Corinthian door is going to be a great asset to your home, enhancing your enjoyment and lifestyle and increasing the value of your residential investment.



This leaflet is designed to help you select the right door for the job and assist you in the care, handling and installation of your new door. Proper installation and maintenance will bring you years of trouble-free use and will keep your door looking like new.

By selecting a Corinthian door, you have the confidence of purchasing a product made by the market leader. Corinthian is Australia's largest timber door manufacturer and backs every one of its doors with a 5 Year Guarantee.

Measuring up for a new door:



Common Door Sizes

Entrance Doors: 2040/2340 x 820 x 40mm

Sidelights: 2040 x 400 x 40mm

Transoms: 400 x 1800 x 40mm

Internal Doors: 2040/2340 x 820/770/720/620/520 x 35mm

STEP 1

Measure your existing door height, width and thickness.

STEP 2

Check that the door opening is square by measuring the door frame diagonally. If the frame is out of square, you may have to order a slightly larger door and trim it to size. A trimming allowance of up to 5mm is allowed on most doors.

STEP 3

Keep in mind that approximately 3mm clearance is required for the top and sides of the door and 5mm for the bottom, above the floor covering or door frame sill.

Which door?

First things first! To choose your door you'll need a copy of the Corinthian Collection Brochure which features all the doors in the range. Available from Corinthian or major Resellers.

Corinthian manufactures the largest range of door designs which is good news for customers... you're bound to find the design that's just right. Your door reseller will be happy to show you the range and explain the many options.

Only you can decide which design will best complement the architecture of your home and reflect your own personal style but here are a few pointers:

- Choose the right door for the job! There are construction differences between entrance and internal doors so make sure you are selecting the correct one.
- If you are going to paint your door, look for Corinthian's pre-primed options and save yourself some work and money.
- If you want to bring more light

into the home, consider entrance doors with matching sidelights, transoms, glazed patio doors and other glass options, all available from Corinthian.

- Stylish homes follow a decorating theme so make sure your internal doors are matching or complementary in style.
- Add to the versatility of adjoining rooms by using bi-fold or multi-fold doors.
- Renovating? Maximise space by using Corinthian Cavity Door Units.
- Create beautiful storage with Corinthian's Quick Slide wardrobe door system.
- Make life easier by opting for Corinthian pre-hung system, complete with jambs, facehole, fitted half hinges and striker plate.

Door furniture, hinges & accessories:

- For peace of mind and security invest in a quality lockset for your new door. Corinthian recommend Gainsborough for all your door furniture needs.
- Follow manufacturers' instructions carefully when fixing door furniture.
- Door furniture can be fitted in any position on Corinthian solid construction doors - subject to instructions from the door furniture manufacturers. On honeycomb and Coritech core doors, check lockblock position first.
- Always hinge entrance and solid construction doors with a minimum of 3 x 89mm hinges. This will reduce the chance of warping.
- Flashing and weather stripping is recommended for entrance doors exposed to weather.

Choosing the finish:

- Exterior finishes must be used on entrance doors. Quality paint is recommended, satin or semi-gloss producing the best results.
- Light reflective colours are recommended for all entrance doors. Avoiding dark colours, especially for doors exposed to direct sunlight, will reduce the risk of heat distortion which may cause warping.
- Sealer must be used on entrance doors given a stain finish.
- Enamel or acrylic paint may be used for internal doors.
- Honeycomb core doors should only be painted with flat, semi-gloss or satin finishes and should be finished the same on both sides.

Applying the finish:

Your new door, including the top and bottom edges and hinge checkouts, must receive 2 coats of paint, varnish or sealer to prevent undue absorption of moisture which may cause warping to occur and void the warranty.

Paint finishes: Apply one coat of primer, if not a primed door, sand lightly in the direction of the grain, apply another coat of undercoat, and finish with two coats of paint for entrance and internal doors. Remember to properly seal the top, bottom and sides, including behind hinges. Always follow the paint manufacturers' instructions closely.

Stain finishes: Before applying stains, all surfaces must be clean and dry. If light sanding is required, sand in direction of grain only. Avoid cross sanding as this will only exaggerate when stained.

Stains do not offer any protection against the elements so an exterior sealer must be used. Because staining is a specialised technique, manufacturers' instructions must be closely followed.